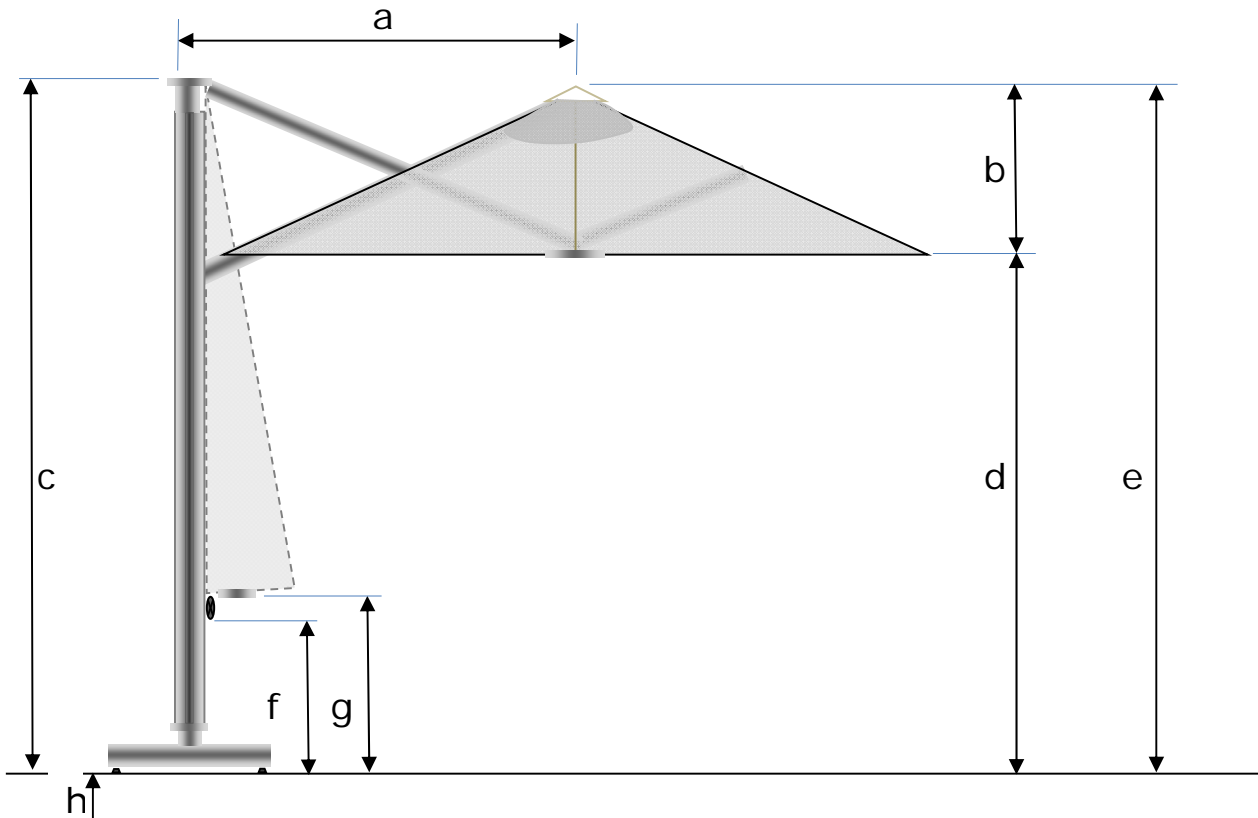
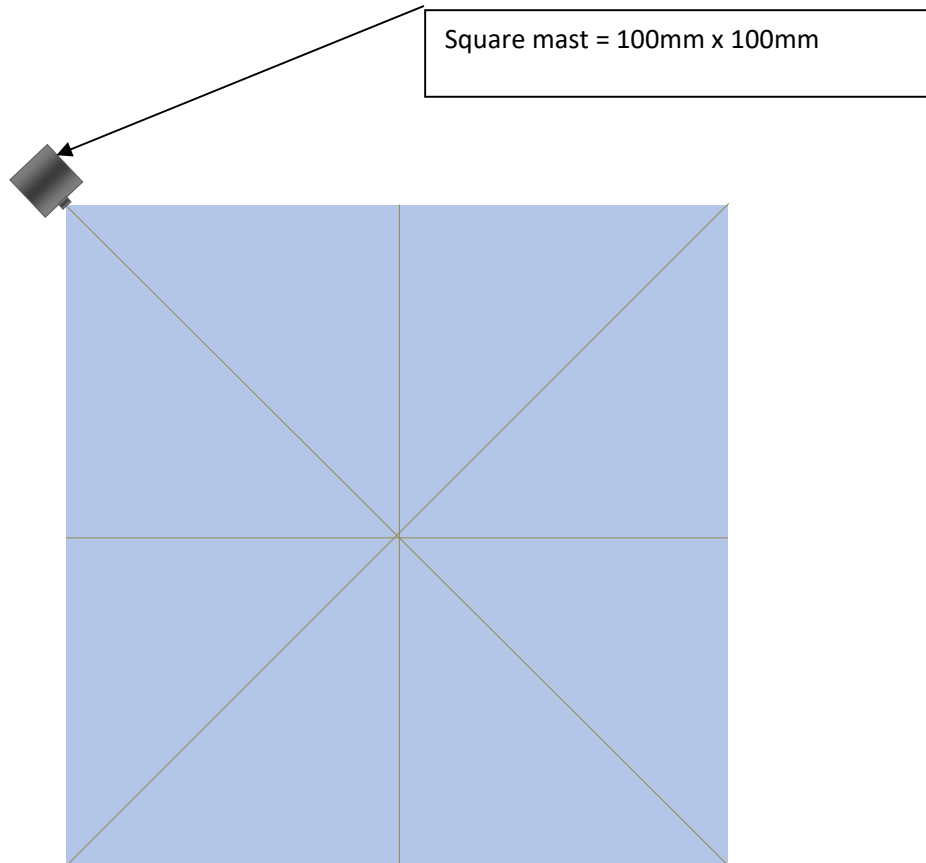


## MALAGA PARASOL - data



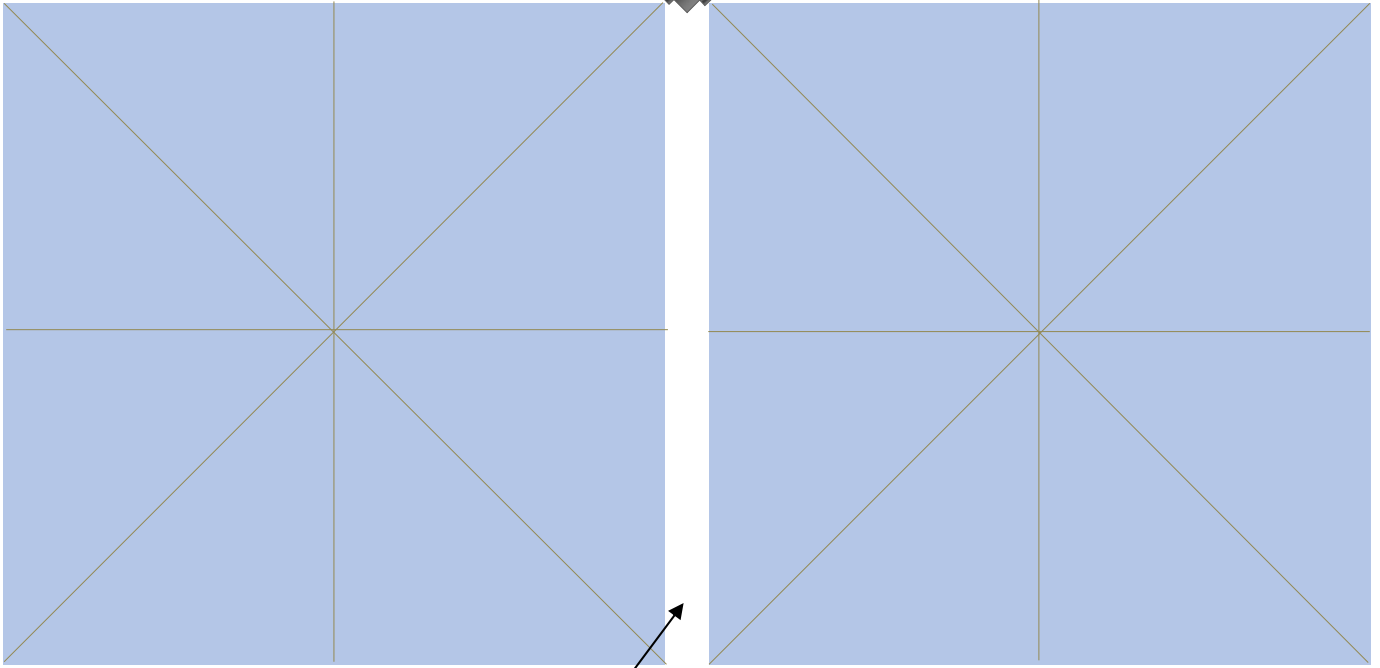
	<b>Dimensions in cm</b>	2.5m sq (on 270 mast)	3.0m sq (on 285 mast)	Ø 3.5m oct (on 270 mast)	Ø 4.2m oct (on 285 mast)
	<small>Tolerance: +/- 5%</small>				
<b>a</b>	Mast to canopy centre point	190	227	188	223
<b>b</b>	Canopy depth	70	70	70	70
<b>c</b>	Mast height [on pedestal base]	288	303	288	303
<b>c<sub>1</sub></b>	Mast height [on ground anchor]	270	285	270	285
<b>d</b>	Head room height [on pedestal base]	226	235	226	225
<b>d<sub>1</sub></b>	Head room height [on ground anchor]	208	217	208	220
<b>e</b>	Apex height	280	289	280	294
<b>f</b>	Bottom edge of knob [open]	179	190	179	191
<b>f<sub>1</sub></b>	Bottom edge of knob [closed]	39	26	39	34
<b>g</b>	Closed clearance height	66	55	66	55
<b>h</b>	Pedestal base height with 2 layers of concrete slabs	18	18	18	18

## SINGLE CANOPY CONFIGURATION



## DOUBLE CANOPY CONFIGURATION

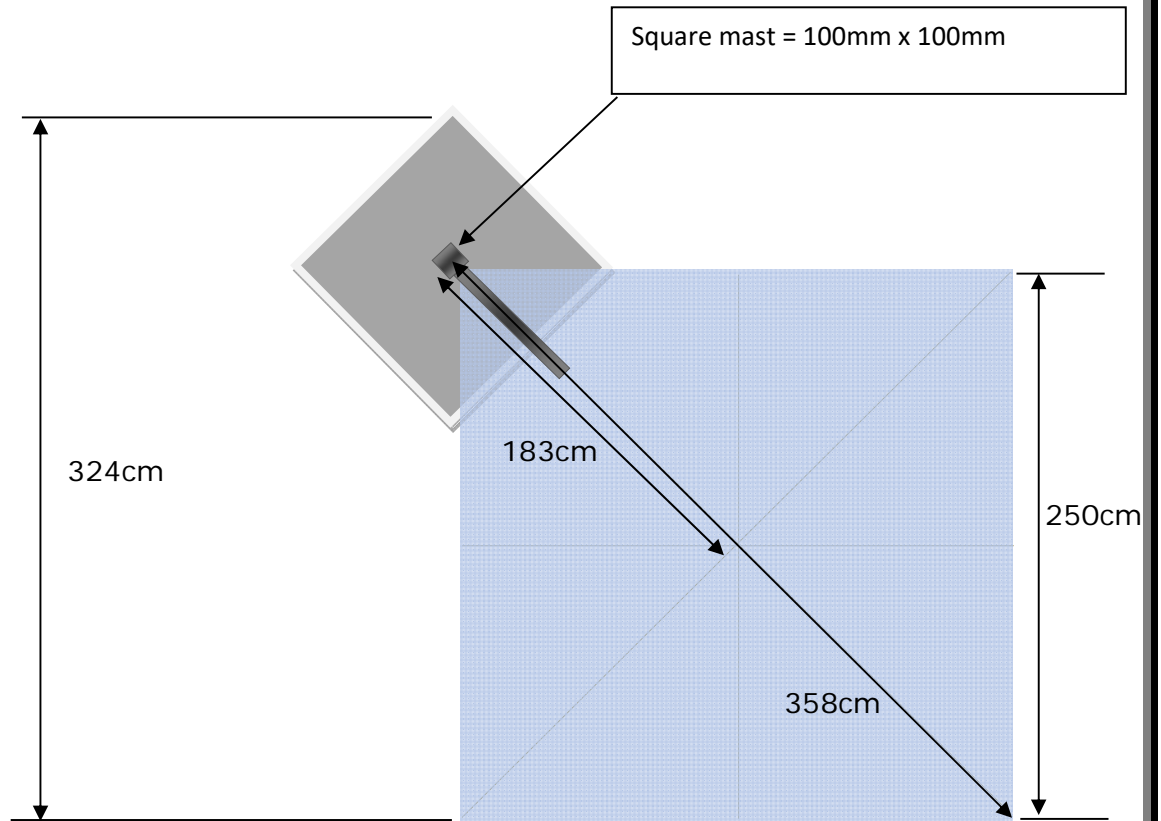
Square mast = 100mm x 100mm



Gap for rain gutter = 150mm

**SINGLE CANOPY WITH A PEDESTAL BASE**

**SIZE: 2.5m x 2.5m SQUARE**



## SINGLE CANOPY WITH A PEDESTAL BASE

SIZE: 3m x 3m SQUARE

